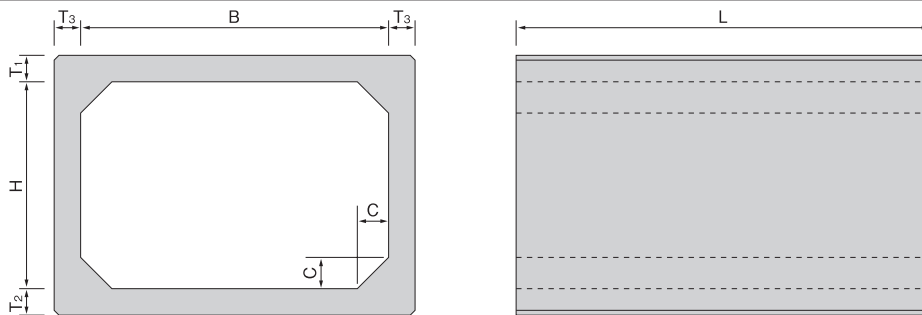


ボックスカルバート

形状図

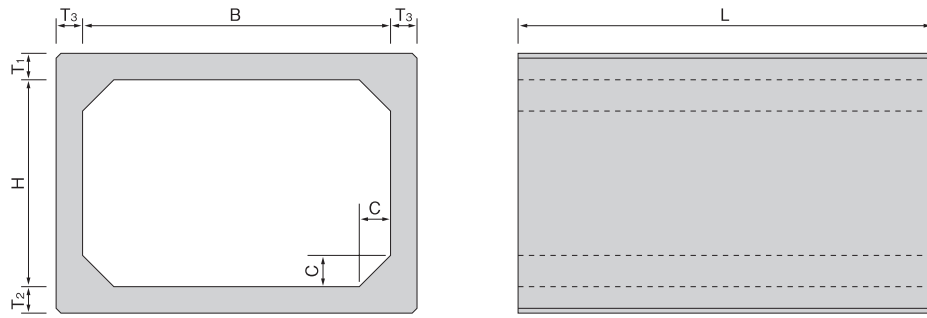


寸法表(その1) RCボックスカルバート

呼び寸法 B×H	内 幅 B	内 高 H	有効長 L	厚 さ			ハンチの高さ C	参考質量 kg/本
				T ₁	T ₂	T ₃		
300× 300	300	300	2,000	70	70	70	40	504
400× 400	400	400	2,000	80	80	80	40	744
500× 400	500	400	2,000	100	100	100	100	1,148
500× 500	500	500	2,000	100	100	100	100	1,240
600× 600	600	600	2,000	100	100	100	100	1,440
700× 600	700	600	2,000	110	110	110	100	1,697
700× 700	700	700	2,000	110	110	110	100	1,800
800× 600	800	600	2,000	120	120	120	100	1,981
800× 800	800	800	2,000	120	120	120	100	2,210
900× 700	900	700	2,000	120	120	120	100	2,210
900× 800	900	800	2,000	120	120	120	100	2,330
900× 900	900	900	2,000	120	120	120	100	2,440
900×1,000	900	1,000	2,000	160	160	140	150	3,370
900×1,100	900	1,100	2,000	160	160	140	150	3,500
900×1,200	900	1,200	2,000	160	160	140	150	3,640
900×1,300	900	1,300	2,000	160	160	140	150	3,770
900×1,400	900	1,400	2,000	160	160	140	150	3,910
900×1,500	900	1,500	2,000	160	160	140	150	4,040
900×1,600	900	1,600	2,000	160	160	140	150	4,180
1,000× 600	1,000	600	2,000	120	120	120	100	2,190
1,000× 700	1,000	700	2,000	130	130	130	100	2,540
1,000× 800	1,000	800	2,000	130	130	130	100	2,665
1,000× 900	1,000	900	2,000	130	130	130	100	2,790
1,000×1,000	1,000	1,000	2,000	130	130	120	150	2,910
1,000×1,500	1,000	1,500	2,000	160	160	140	150	4,190
1,000×1,600	1,000	1,600	2,000	160	160	140	150	4,330
1,000×1,700	1,000	1,700	2,000	160	160	140	150	4,460
1,000×1,800	1,000	1,800	2,000	160	160	140	150	4,600
1,000×1,900	1,000	1,900	2,000	160	160	140	150	4,730
1,000×2,000	1,000	2,000	2,000	160	160	140	150	4,870
1,100×1,100	1,100	1,100	2,000	140	140	140	100	3,430
1,200× 600	1,200	600	2,000	150	150	130	150	3,060
1,200× 700	1,200	700	2,000	150	150	130	150	3,180
1,200× 800	1,200	800	2,000	150	150	130	150	3,310
1,200× 900	1,200	900	2,000	150	150	130	150	3,430
1,200×1,000	1,200	1,000	2,000	150	150	130	150	3,560
1,200×1,100	1,200	1,100	2,000	150	150	130	150	3,690
1,200×1,200	1,200	1,200	2,000	150	150	130	150	3,810
1,200×1,300	1,200	1,300	2,000	150	150	130	150	3,930
1,300× 800	1,300	800	2,000	150	150	130	150	3,455
1,300× 900	1,300	900	2,000	150	150	130	150	3,580
1,300×1,000	1,300	1,000	2,000	150	150	130	150	3,710
1,300×1,100	1,300	1,100	2,000	150	150	130	150	3,830
1,300×1,200	1,300	1,200	2,000	150	150	130	150	3,960
1,300×1,300	1,300	1,300	2,000	150	150	130	150	4,080
1,400× 600	1,400	600	2,000	160	160	140	150	3,600
1,400× 700	1,400	700	2,000	160	160	140	150	3,730
1,400× 800	1,400	800	2,000	160	160	140	150	3,870

ボックスカルバート

形状図



寸法表(その2) RCボックスカルバート

呼び寸法 B×H	内 幅 B	内 高 H	有効長 L	厚 さ			ハンチの高さ C	参考質量 kg/本
				T ₁	T ₂	T ₃		
1,400× 900	1,400	900	2,000	160	160	140	150	4,000
1,400×1,000	1,400	1,000	2,000	160	160	140	150	4,140
1,400×1,100	1,400	1,100	2,000	160	160	140	150	4,270
1,400×1,200	1,400	1,200	2,000	160	160	140	150	4,410
1,400×1,300	1,400	1,300	2,000	160	160	140	150	4,540
1,400×1,400	1,400	1,400	2,000	160	160	140	150	4,670
1,400×1,500	1,400	1,500	2,000	160	160	140	150	4,810
1,500×1,000	1,500	1,000	2,000	160	160	140	150	4,290
1,500×1,100	1,500	1,100	2,000	160	160	140	150	4,425
1,500×1,200	1,500	1,200	2,000	160	160	140	150	4,560
1,500×1,300	1,500	1,300	2,000	160	160	140	150	4,695
1,500×1,400	1,500	1,400	2,000	160	160	140	150	4,830
1,500×1,500	1,500	1,500	2,000	160	160	140	150	4,960
1,500×1,600	1,500	1,600	2,000	160	160	160	150	5,470
1,500×1,700	1,500	1,700	2,000	160	160	160	150	5,620
1,500×1,800	1,500	1,800	2,000	160	160	160	150	5,770
1,500×1,900	1,500	1,900	2,000	160	160	160	150	5,930
1,500×2,000	1,500	2,000	2,000	160	160	160	150	6,080
1,600×1,100	1,600	1,100	2,000	170	170	150	150	4,900
1,600×1,600	1,600	1,600	2,000	220	220	200	150	7,510
1,700×1,100	1,700	1,100	2,000	180	180	160	150	5,395
1,700×1,200	1,700	1,200	2,000	180	180	160	150	5,550
1,700×1,300	1,700	1,300	2,000	180	180	160	150	5,700
1,700×1,700	1,700	1,700	2,000	170	170	150	150	5,925
1,800×1,000	1,800	1,000	2,000	170	170	150	150	5,085
1,800×1,100	1,800	1,100	2,000	170	170	150	150	5,225
1,800×1,200	1,800	1,200	2,000	170	170	150	150	5,370
1,800×1,300	1,800	1,300	2,000	170	170	150	150	5,515
1,800×1,400	1,800	1,400	2,000	170	170	150	150	5,660
1,800×1,500	1,800	1,500	2,000	170	170	150	150	5,800
1,800×1,600	1,800	1,600	2,000	170	170	150	150	5,945
1,800×1,700	1,800	1,700	2,000	170	170	150	150	6,090
1,800×1,800	1,800	1,800	2,000	170	170	150	150	6,235
1,900×1,400	1,900	1,400	2,000	190	190	170	150	6,585
1,900×1,500	1,900	1,500	2,000	190	190	170	150	6,745
1,900×1,600	1,900	1,600	2,000	190	190	170	150	6,910
1,900×1,700	1,900	1,700	2,000	190	190	170	150	7,075
1,900×1,800	1,900	1,800	2,000	190	190	170	150	7,235
1,900×1,900	1,900	1,900	2,000	190	190	170	150	7,400
2,000×1,500	2,000	1,500	2,000	190	190	170	200	7,100
2,000×1,600	2,000	1,600	2,000	190	190	170	200	7,265
2,000×1,700	2,000	1,700	2,000	190	190	170	200	7,425
2,000×1,800	2,000	1,800	2,000	190	190	170	200	7,590
2,000×2,000	2,000	2,000	2,000	200	200	200	200	8,830
2,100×1,200	2,100	1,200	2,000	210	210	180	200	7,410
2,100×2,100	2,100	2,100	2,000	210	210	180	200	8,975
3,000×1,500	3,000	1,500	1,000	250	200	200	200	5,290
3,000×2,500	3,000	2,500	2,000	250	250	200	200	13,340

2009.3

前田製管株式会社

建設業許可番号/国土交通大臣(特-28)第213号(土、建、と、ほ)

本社 ●〒998-8611 ●山形県酒田市上本町6-7

●Tel.0234-23-5111

●Fax.0234-24-7002

●http://www.maeta.co.jp/